

YODOCK® APC; DEMARCATION DEVICE SPECIFICATION

INTENT: THE PURPOSE OF THIS SPECIFICATION IS TO DESCRIBE A LIGHTWEIGHT PORTABLE PLASTIC CURB BARRICADE. THIS AIRPORT AND GENERAL CONSTRUCTION DEVICE IS A HIGHLY VISABLE, FRANGABLE, LOW PROFILE DEVICE, WHICH CAN BE BALLASTED AND ATTACHED TO THE SURFACE FOR STABILITY. THE INTENDED USE OF THE YODOCK® APC DEVICE IS TO ASSIST IN THE DEMARCATION OF AIRPORT RUNWAYS AND TAXIWAYS DURING CONSTRUCTION. IN ADDITION THIS PRODUCT CAN PROVIDE CLEAR DELINEATION FOR CHANNELIZATION FOR CONSTRUCTION AREAS, PARKING GARAGES, AND TOLL BOOTHS.

SCOPE: THIS SPECIFICATION RECOGNIZES THE NEED FOR A LOW PROFILE, LIGHTWEIGHT, PORTABLE DEVICE TO PERFORM THE FUNCTION OF DEMARCATION OF AIRPORT RUNWAYS AND TAXIWAYS DURING CONSTRUCTION. IN ADDITION THIS PRODUCT CAN FUNCTION AS A CLEAR DELINEATOR FOR SAFETY BY CHANNELIZING TRAFFIC AND PEDESTRIANS IN CONSTRUCTION AREAS. THIS PRODUCT FULLY COMPLIES WITH THE FAA ADVISORY CIRCULAR 150/5370-2E.

CONSTRUCTION: THE YODOCK® APC DEMARCATION DEVICE IS MANUFACTURED USING FRANGIBLE, UV RESISTANT, HIGH DENSITY POLYETHYLENE. THE UNIT IS DESIGNED TO MAINTAIN ITS SHAPE, AND BE PROPERLY SEALED, WATERTIGHT AND LEAKPROOF. THE YODOCK® APC IS DESIGNED WITH DRAIN PLUGS, UNDERSIDE GROOVES TO ALLOW FLOW OF SURFACE DRAINAGE, PORTS POSITIONED ON THE BOTTOM FLANGES TO ALLOW FOR GROUND MOUNTING, FORKLIFT HOLES FOR EASE OF MOBILITY WHEN FILLED, POST BOOTS TO ALLOW SIGN, FENCE POST, AND FLAG MOUNTING, AND A LIGHT BOX FOR ATTACHING LIGHTING DEVICES. THE YODOCK® APC DEVICE IS JOINED BY A UNIQUE CONNECTION SYSTEM WHICH ALLOWS FOR APPROXIMATELY 90 DEGREES OF ARTICULATION BETWEEN UNITS.

THE NOMINAL DIMENSIONS OF THE UNIT ARE AS FOLLOWS:

HEIGHT: 8"

BASE WIDTH INCLUDING FLANGES: 15"

EMPTY WEIGHT: 22 LBS

TOP FILL HOLES: 2"

FLAG BOOT: ACCOMODATES UP TO 7/8" POSTS

CONNECTION HARDWARE: 3/8" HEX HEAD BOLT & NUT

FUNCTIONAL LENGTH: 96"

BASE WIDTH NOT INCLUDING FLANGES: 12"

WATERFILLED WEIGHT: 160 LBS

POST BOOT: ACCOMODATES UP TO 2 3/8" DIAMETER POSTS

LIGHT BOX: ACCOMODATES STANDARD BARRICADE LIGHTS

MATERIAL: THE MATERIAL IS A HIGH DENSITY POLYETHYLENE MOLDED TO A THICKNESS OF APPROXIMATELY .187 INCHES.

ULTRAVIOLET LIGHT: AN ULTRAVIOLET LIGHT INHIBITOR IS INTRODUCED INTO THE RAW MATERIAL MIX TO PROVIDE SUFFICIENT PROTECTION TO ENSURE REASONABLE LIFE OF THE PRODUCT IN REASONABLE WEATHER CONDITIONS.

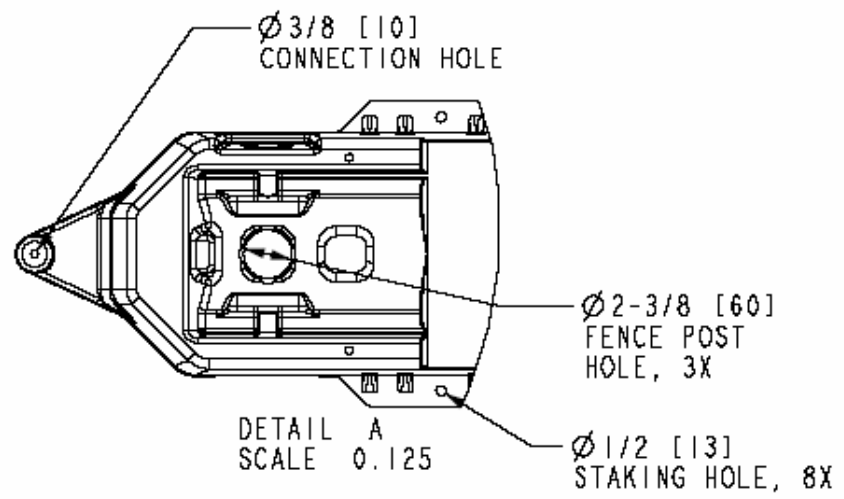
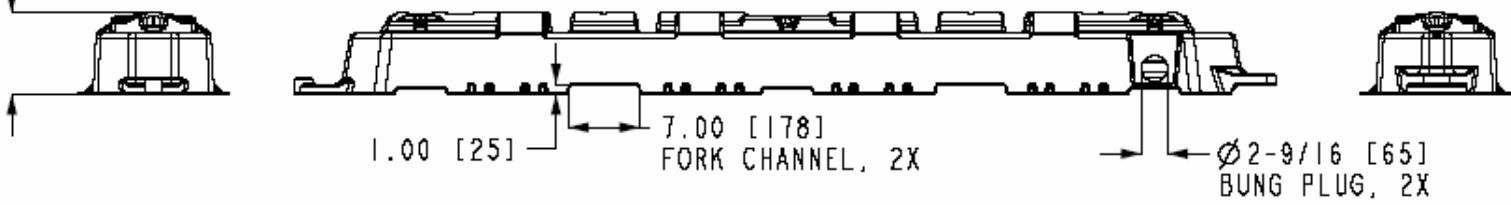
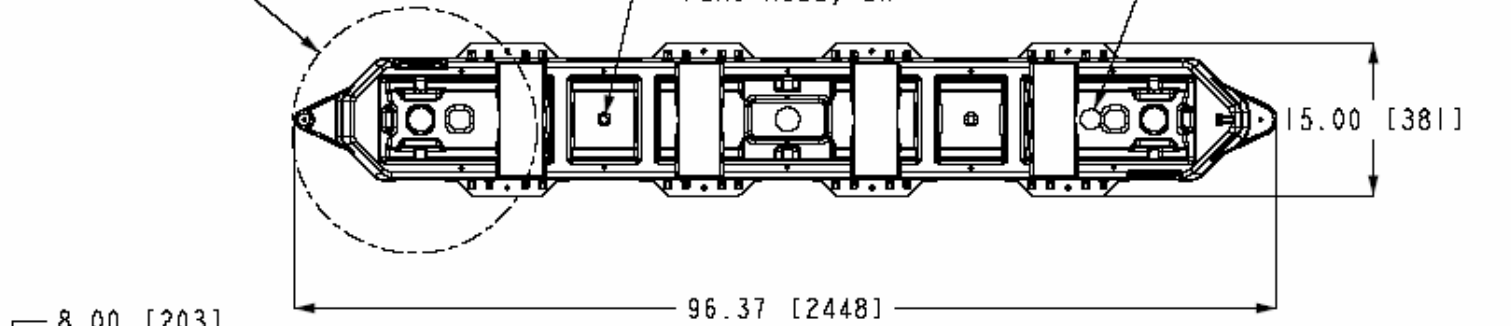
COLORS: THE STANDARD COLORS OF THE YODOCK® APC ARE NATURAL AND SAFETY ORANGE. OTHER COLORS MAY BE INTRODUCED FROM TIME TO TIME AS REQUIRED TO COMPLY WITH STATE AND FEDERAL REGULATIONS.

INSTALLATION: THE YODOCK® APC CAN BE INTERLOCKED END TO END WHEN INSTALLED AS A DEMARCATION DEVICE OR CHANNELIZER. THE UNITS MAY BE USED EMPTY, BALLASTED, OR COMPLETELY FILLED WITH WATER. DELINEATOR POSTS, PANEL OR ROLLED FENCE, WARNING FLAGS, STEADY BURNING LIGHTS OR FLASHING LIGHTS CAN BE SECURELY MOUNTED TO EACH UNIT IF CONDITIONS REQUIRE.

SEE DETAIL A

Ø 3/4 [19]
FLAG HOLE, 2X

Ø 2.00 [51] FILL HOLE



| | | | | |
|---------------------------|------|----|--------------|---------------------|
| Yodock Wall Company, Inc. | | | | |
| Revisions | | | CURB BARRIER | |
| No. | Date | By | Date | Drawn By |
| 1. | | | 06-19-07 | AJL |
| 2. | | | | |
| 3. | | | | |
| 4. | | | | |
| 5. | | | | |
| | | | | Scale NTS |
| | | | | Sheet No. 1 OF 1 |