

12060
WASHER, FLAT,
3/4"ID X 2"OD

45047
BOLT,
TAPER ANCHOR,
3/4" X 4-1/8"

45130
SLED TRANSITION FRAME

45145-CP
SLED TRANSITION
SHORT DROP PIN

45140-CP
SLED TRANSITION
LONG DROP PIN

L

45150L
SLED TRANSITION PANEL, LEFT

R

45150R
SLED TRANSITION PANEL, RIGHT

UNLESS OTHERWISE SPECIFIED:
ALL DIMENSIONS ARE IN INCHES [mm].
TOLERANCES:
FRACTIONAL: X/X ± 1/16" [1.6mm]
DECIMAL: .000 ± .0625
DEGREES: ± 0.5°

**Traffix
Devices Inc.**  160 Avenida La Pata
San Clemente, CA 92673
(949) 361-5663
FAX (949) 361-9205
www.traffixdevices.com

ITEM NO.	DESCRIPTION	PN	QTY
1	SLED TRANSITION FRAME ASSY	45130	1
2	RIGHT SLED TRANSITION PANEL ASSY	45150R	1
3	LEFT SLED TRANSITION PANEL ASSY	45150L	1
4	SLED TRANSITION LONG DROP PIN	45140-CP	1
5	SLED TRANSITION SHORT DROP PIN	45145-CP	2
6	BOLT, TAPER ANCHOR, 3/4" X 4-1/8"	45047	9
7	WASHER, FLAT, 3/4"ID X 2"OD	12060	9

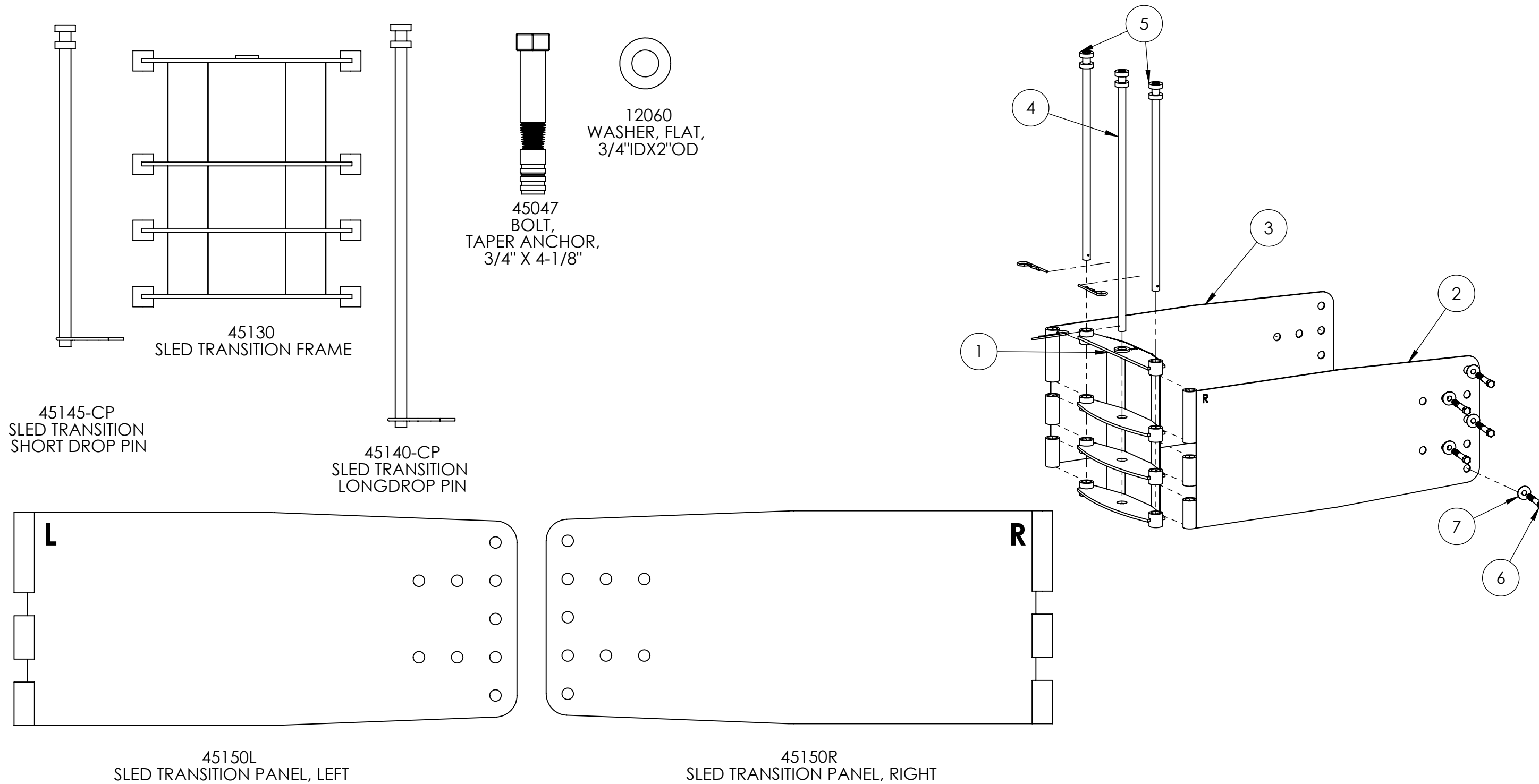
TITLE: **SLED END TREATMENT TRANSITION ASSY**

SIZE **B** DWG. NO. **45044-T** REV **C**

SHEET 1 OF 6

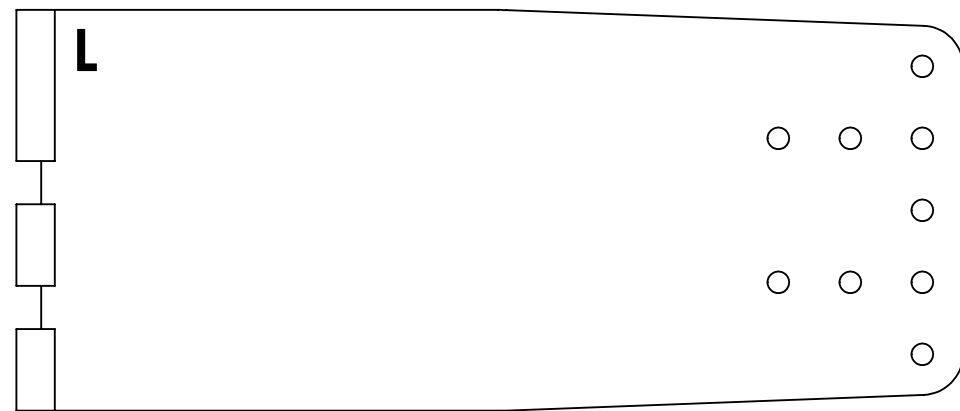
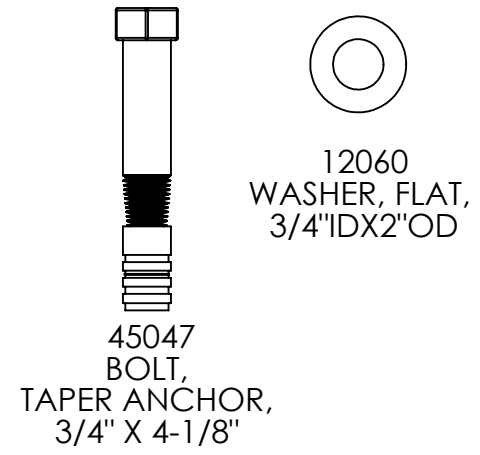
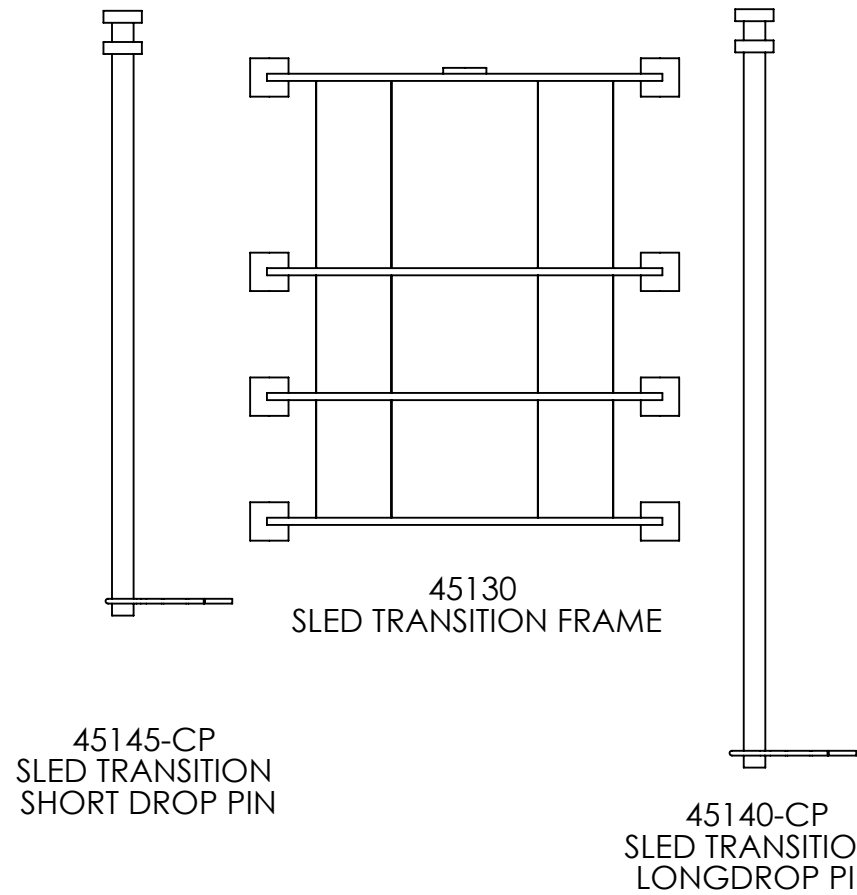
2. FINISH: HOT DIP GALVANIZE
1. MATERIAL: A36 AND A513 STEEL
NOTES: UNLESS OTHERWISE SPECIFIED

DRAWN BY: Mary Dralle DATE: 06-02-10
CHECKED BY: FA DATE: 06-02-10
APPROVED BY: FA DATE: 06-02-10

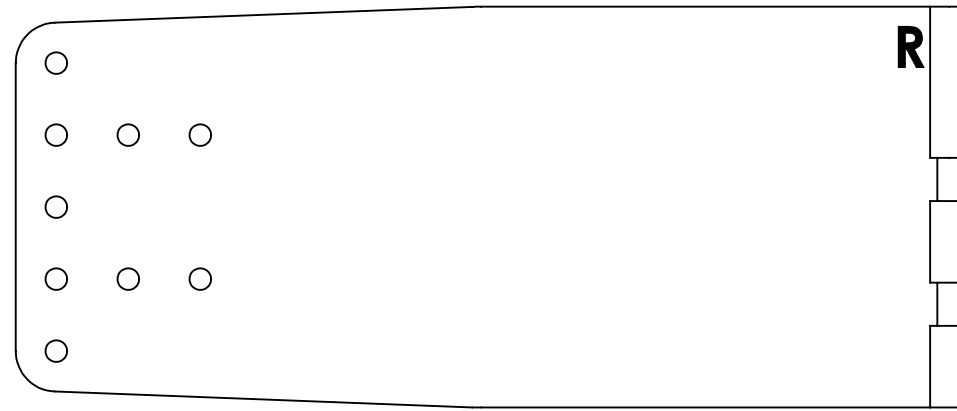


2. FINISH: HOT DIP GALVANIZE
 1. MATERIAL: A36 AND A513 STEEL
NOTES: UNLESS OTHERWISE SPECIFIED

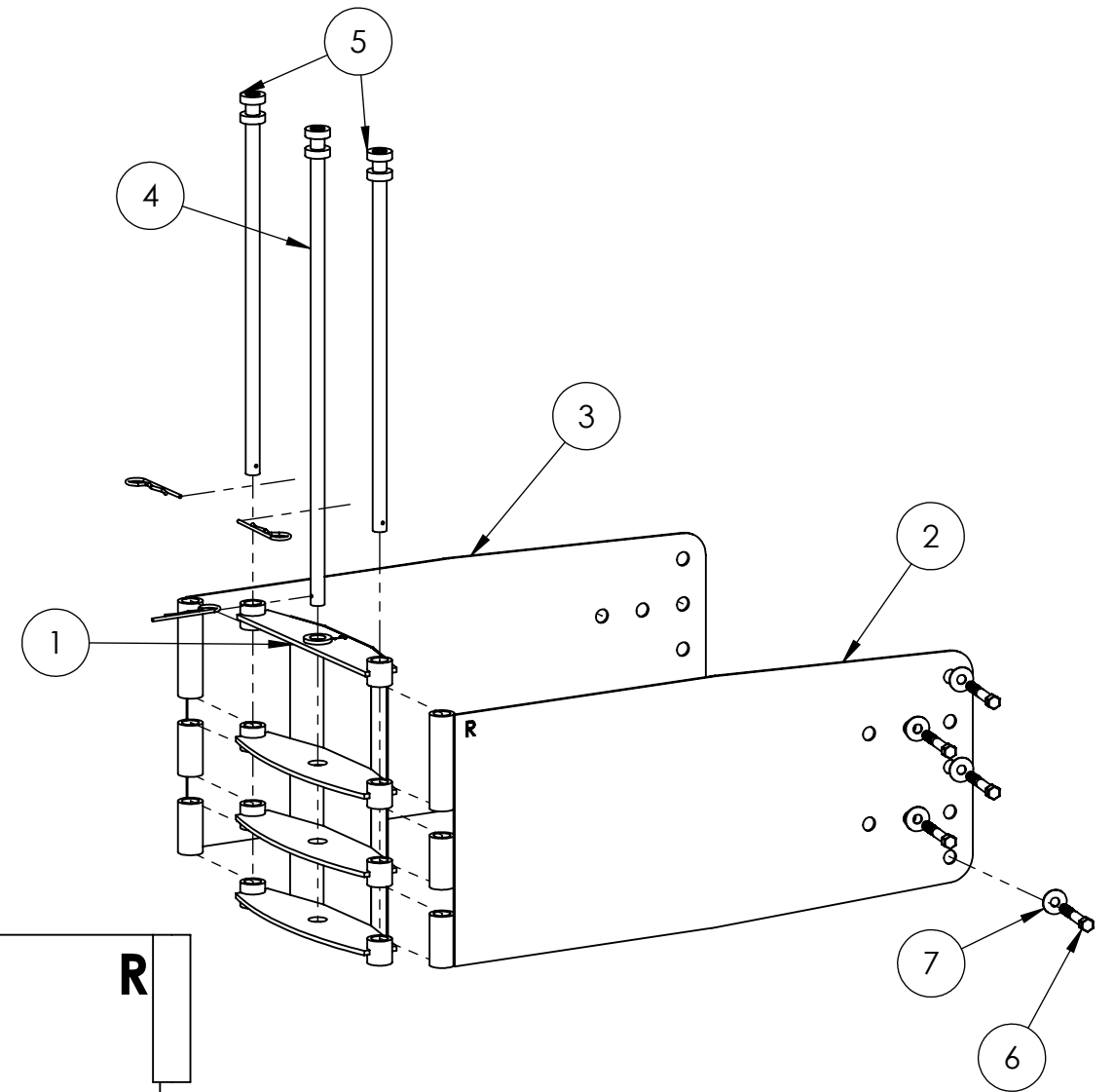
ITEM NO.	DESCRIPTION	PN	QTY
1	SLED TRANSITION FRAME ASSY	45130	1
2	RIGHT SLED TRANSITION PANEL ASSY	45150R	1
3	LEFT SLED TRANSITION PANEL ASSY	45150L	1
4	SLED TRANSITION LONG DROP PIN	45140-CP	1
5	SLED TRANSITION SHORT DROP PIN	45145-CP	2
6	BOLT, TAPER ANCHOR, 3/4" X 4-1/8"	45047	9
7	WASHER, FLAT, 3/4"ID X 2"OD	12060	9

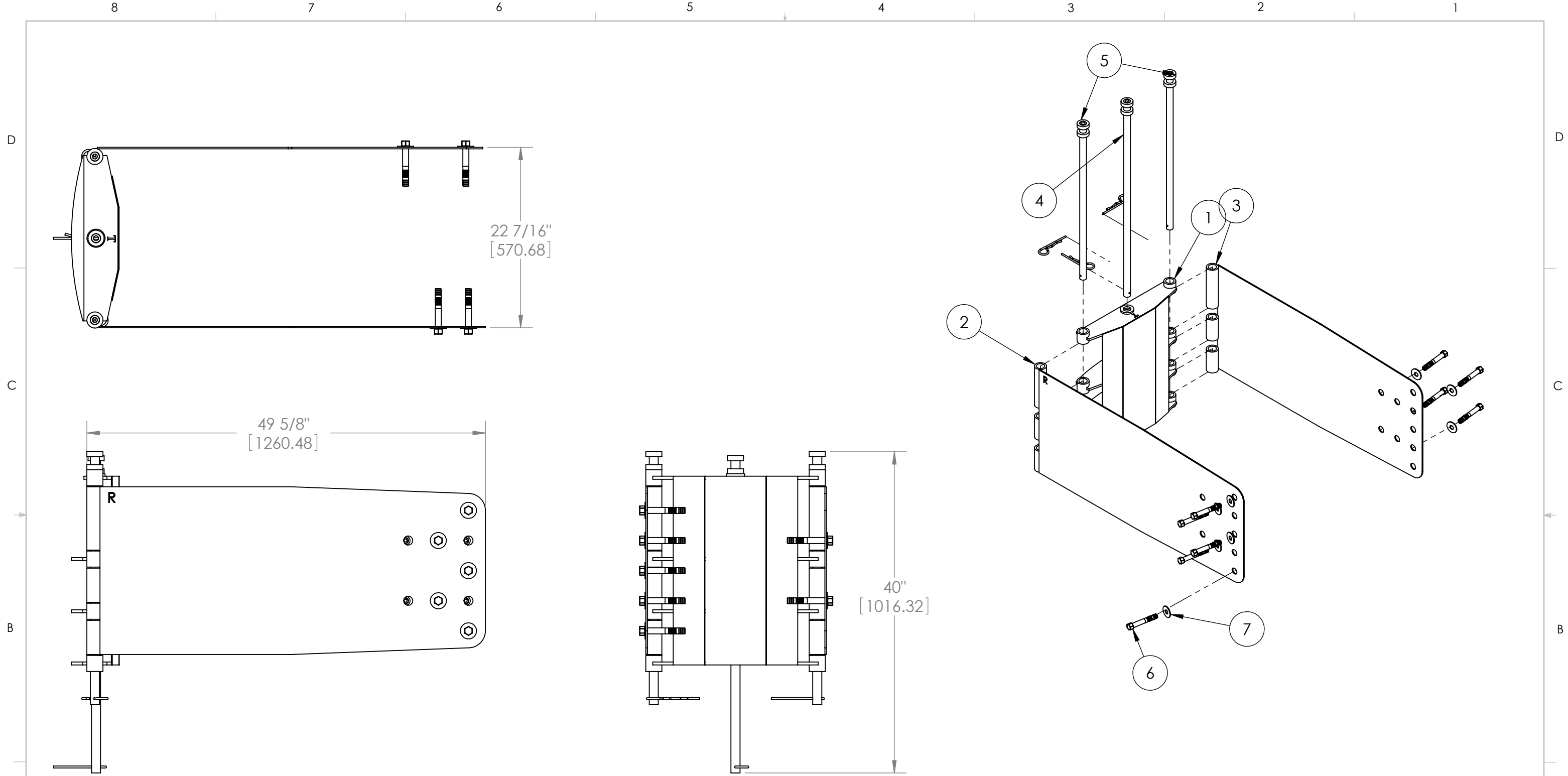


45150L
SLED TRANSITION PANEL, LEFT



45150R
SLED TRANSITION PANEL, RIGHT





3. UNITS: INCHES [mm]
 2. FINISH: HOT DIP GALVANIZE
 1. MATERIAL: A36 AND A513 STEEL
NOTES: UNLESS OTHERWISE SPECIFIED

ITEM NO.	DESCRIPTION	PN	QTY
1	SLED TRANSITION FRAME ASSY	45130	1
2	RIGHT SLED TRANSITION PANEL ASSY	45150R	1
3	LEFT SLED TRANSITION PANEL ASSY	45150L	1
4	SLED TRANSITION LONG DROP PIN	45140-CP	1
5	SLED TRANSITION SHORT DROP PIN	45145-CP	2
6	BOLT, TAPER ANCHOR, 3/4" X 4 1/8"	45047	9
7	WASHER, FLAT, 3/4"ID X 2"OD	12060	9

UNLESS OTHERWISE SPECIFIED:
 ALL DIMENSIONS ARE IN INCHES[mm].
 TOLERANCES:
 FRACTIONAL: X/X ± 1/16" [1.6mm]
 DECIMAL: .000 ± .0625
 DEGREES: ± 0.5°

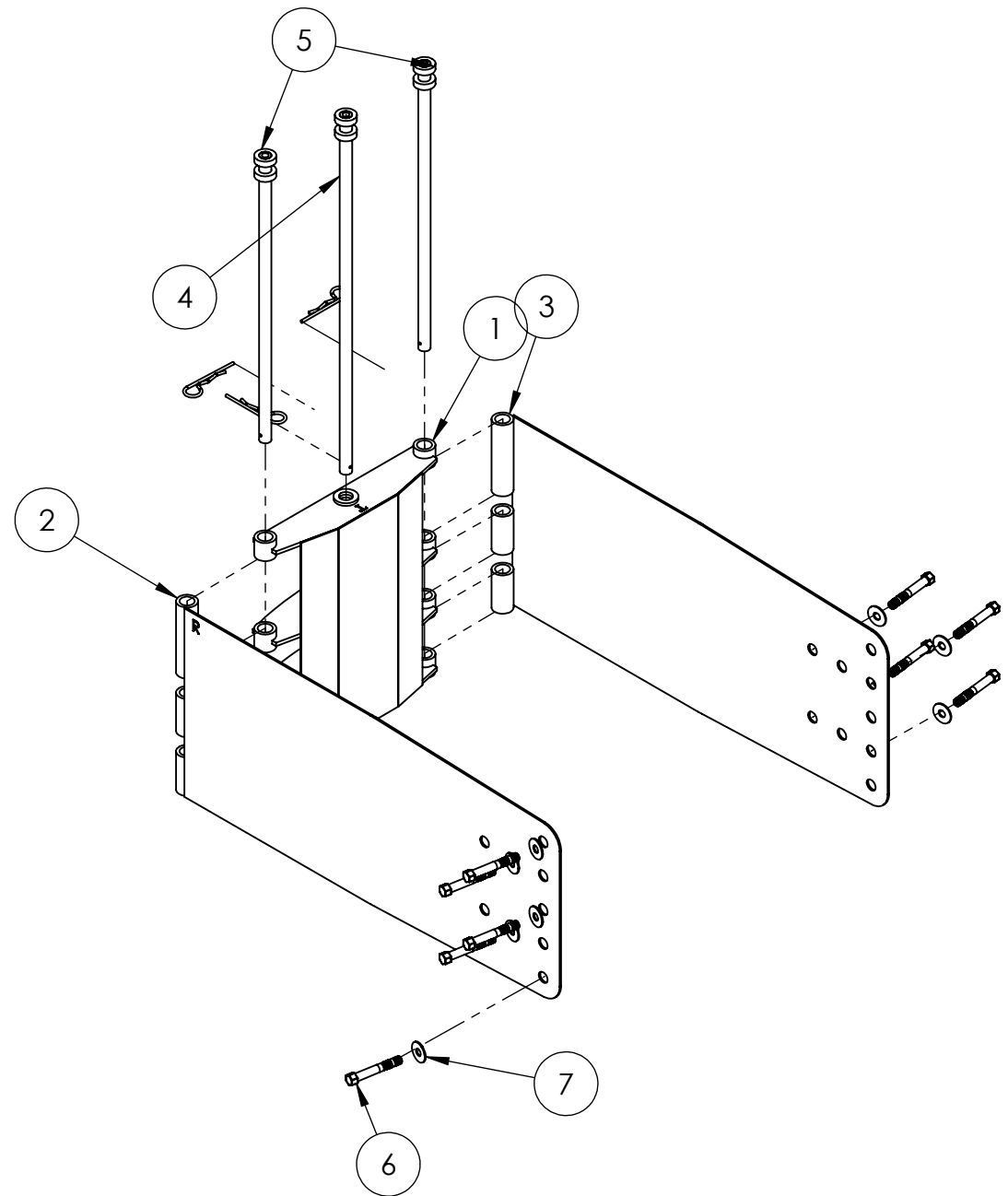
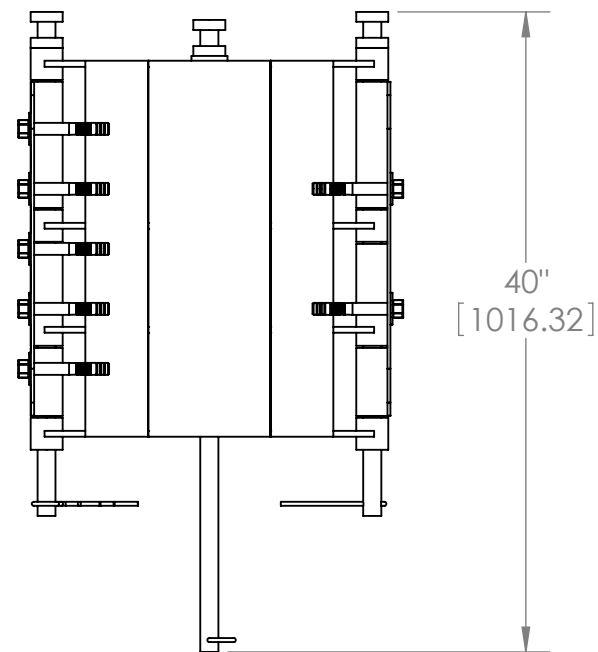
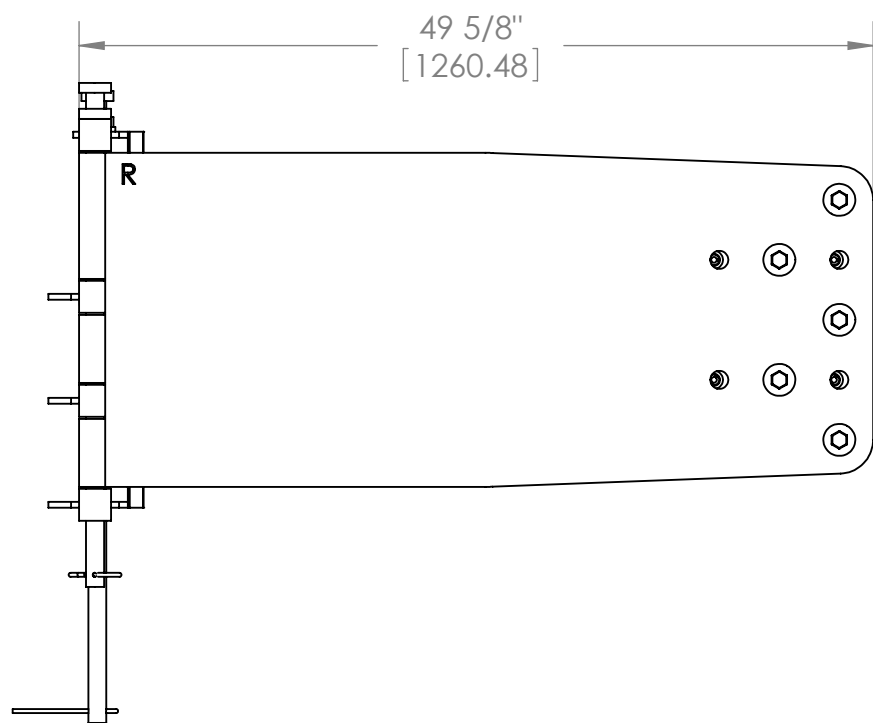
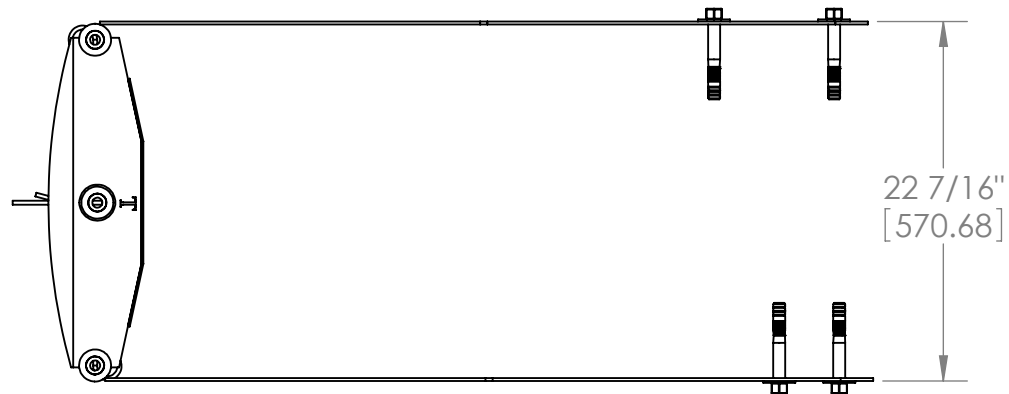
DRAWN BY: Mary Dralle
 CHECKED BY: FA
 APPROVED BY: FA
 DATE: 06-02-10
 DATE: 06-02-10
 DATE: 06-02-10

Traffix Devices Inc.  160 Avenida La Pata
 San Clemente, CA 92673
 (949) 361-5663
 FAX (949) 361-9205
 www.traffixdevices.com

TITLE: **SLED END TREATMENT TRANSITION ASSY**

SIZE B	DWG. NO. 45044-T	REV C
------------------	----------------------------	-----------------

SHEET 4 OF 6



ITEM NO.	DESCRIPTION	PN	QTY
1	SLED TRANSITION FRAME ASSY	45130	1
2	RIGHT SLED TRANSITION PANEL ASSY	45150R	1
3	LEFT SLED TRANSITION PANEL ASSY	45150L	1
4	SLED TRANSITION LONG DROP PIN	45140-CP	1
5	SLED TRANSITION SHORT DROP PIN	45145-CP	2
6	BOLT, TAPER ANCHOR, 3/4" X 4/1/8"	45047	9
7	WASHER, FLAT, 3/4"ID X 2"OD	12060	9

3. UNITS: INCHES [mm]
 2. FINISH: HOT DIP GALVANIZE
 1. MATERIAL: A36 AND A513 STEEL
NOTES: UNLESS OTHERWISE SPECIFIED

