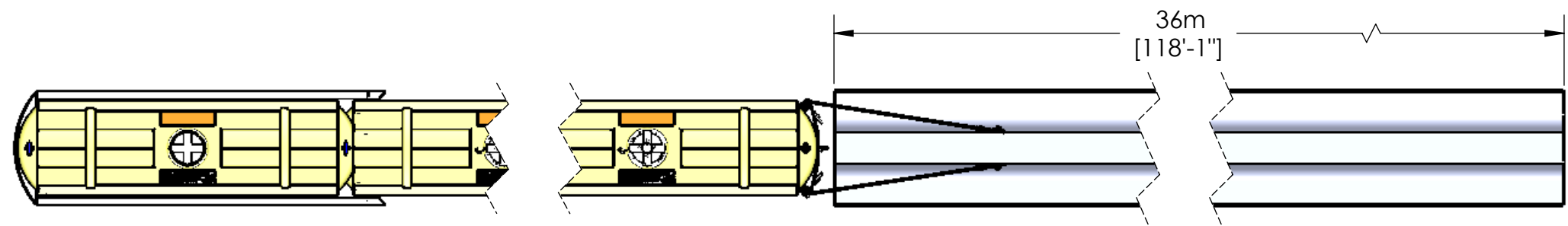


8 7 6 5 4 3 2 1

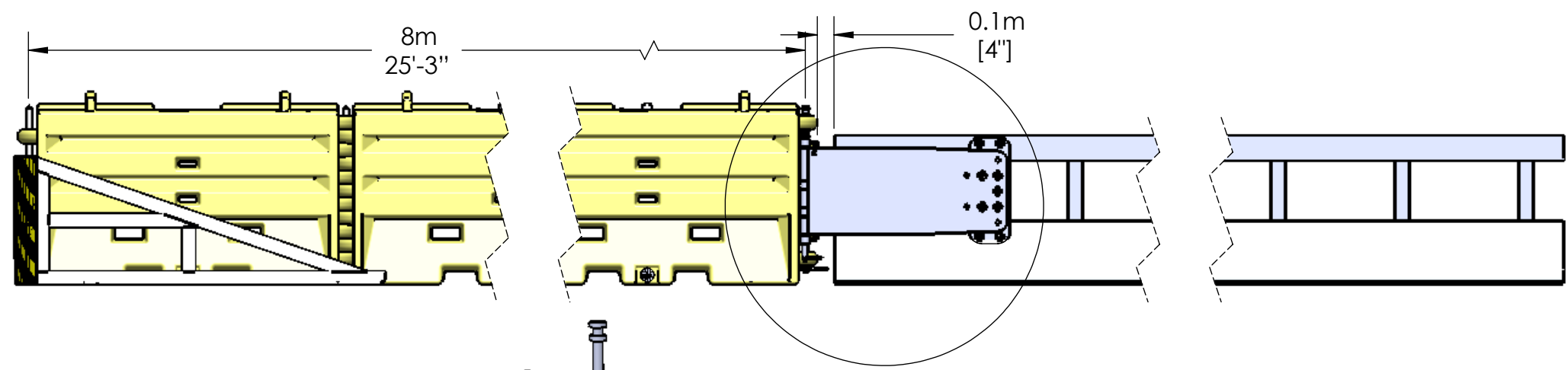
D

D



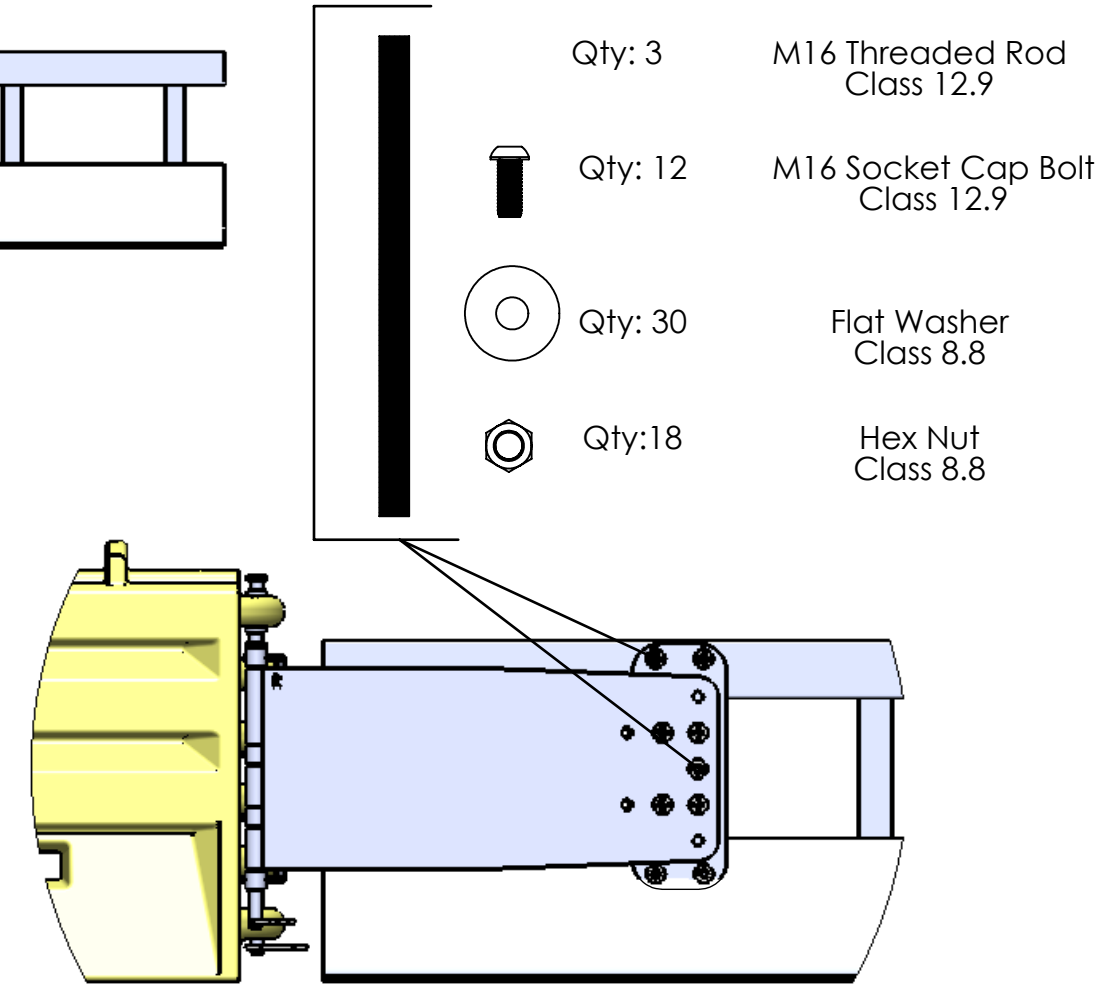
C

C



B

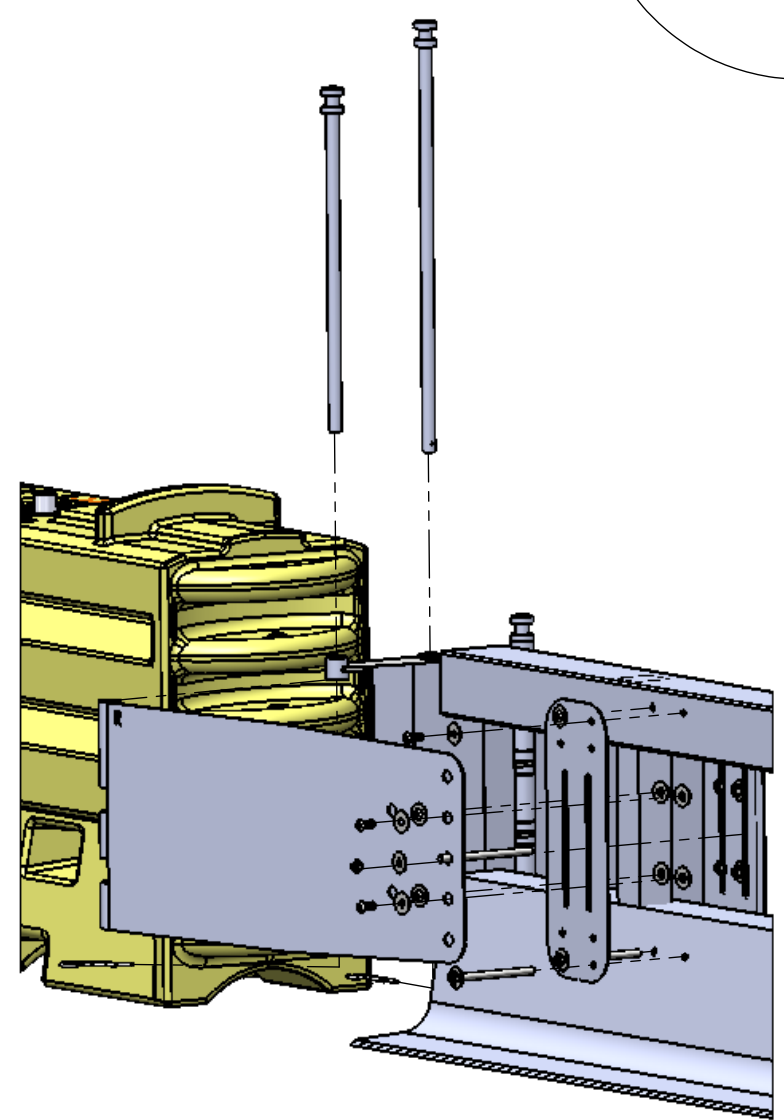
B



- Qty: 3 M16 Threaded Rod Class 12.9
- Qty: 12 M16 Socket Cap Bolt Class 12.9
- Qty: 30 Flat Washer Class 8.8
- Qty: 18 Hex Nut Class 8.8

A

A



UNLESS OTHERWISE SPECIFIED:
ALL DIMENSIONS ARE IN INCHES[mm].
TOLERANCES:
FRACTIONAL: X/X ± 1/16" [1.6mm]
DECIMAL: .000 ± .0625
DEGREES: ± 0.5°

Traffix Devices Inc.  160 Avenida La Pata
San Clemente, CA 92673
(949) 361-5663
FAX (949) 361-9205
www.traffixdevices.com

TITLE:
SLED WITH VARIO-GUARD ATTACHMENT

DRAWN BY: Mary Dralle
CHECKED BY: FA
APPROVED BY: FA

DATE: 10-21-11
DATE: 10-21-11
DATE: 10-21-11

SIZE B	DWG. NO. 300-167	REV A
------------------	---------------------	-----------------

SHEET 1 OF 1

8 7 6 5 4 3 2 1