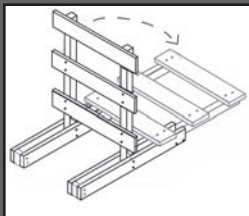


# TYPE III BARRICADES

## PLASTICADE<sup>®</sup> BREAK-AWAY



- All Plastic Type III Barricade available in 5 different board lengths
- Collapsible, making it easy to transport and store
- NCHRP-350 Accepted, Meets MUTCD Standards



Assembled, the Break-Away Type III Barricade easily folds down for transport and storage

## SENTINEL<sup>™</sup>

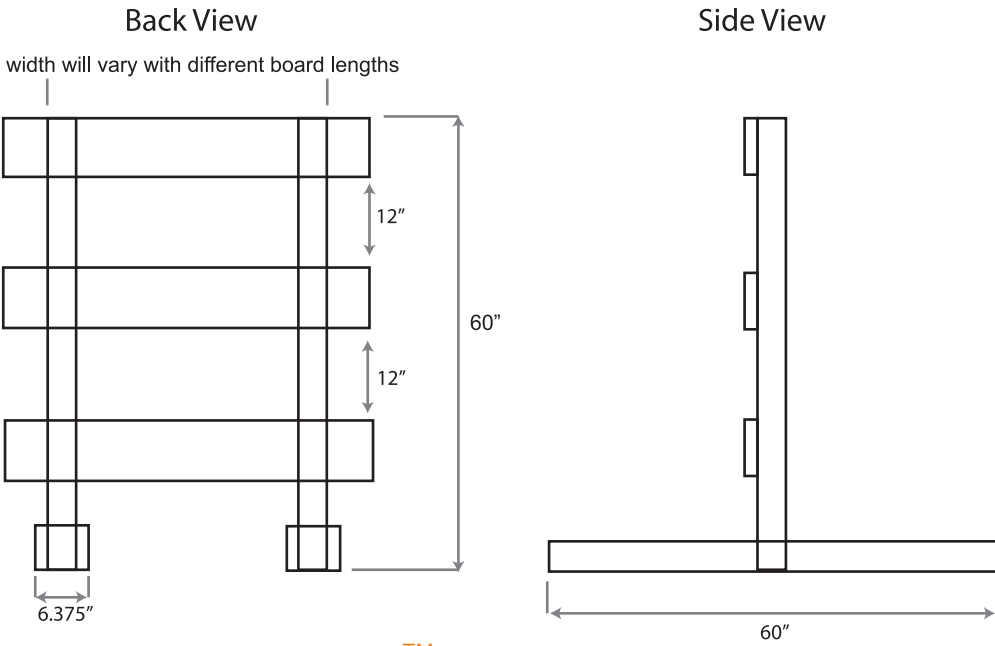


- All Plastic Type III Barricade available in 4' and 6' board lengths
- Easy to assemble, consists of 2 pieces, upright and base, that snap together, no hardware required
- Base can be internally ballasted with sand or water in warmer climates
- NCHRP-350 Accepted, Meets MUTCD Standards

**PLASTICADE<sup>®</sup>**

[www.plasticade.com](http://www.plasticade.com)

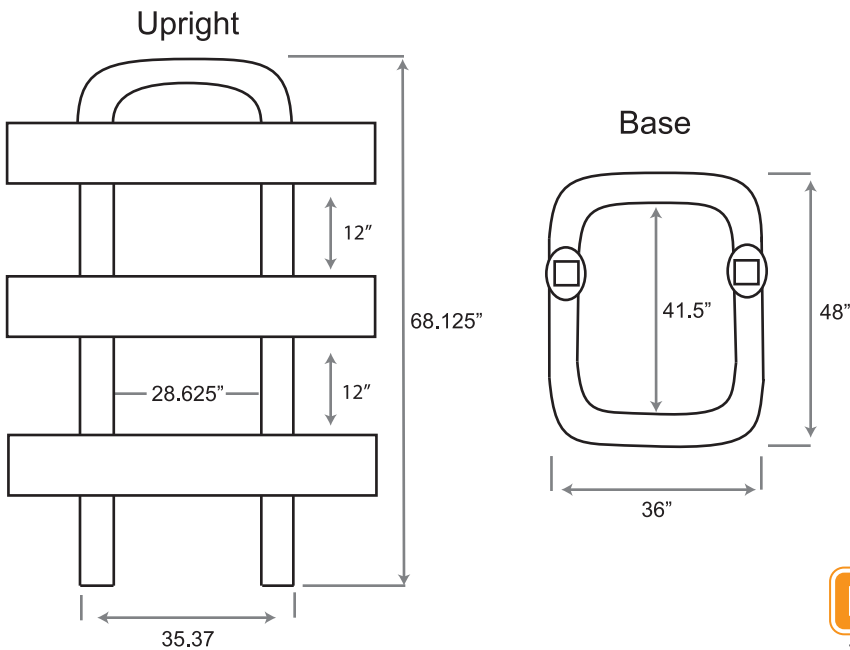
# Break-Away<sup>TM</sup> Type III Barricade



## Specs

Composition	High Density Polyethylene
Available Board Sizes	1" x 8" x 4' 1" x 8" x 6' 1" x 8" x 8' 1" x 8" x 10' 1" x 8" x 12'
Reflective Sheeting	Available in all grades - in left, right, or chevron stripes

# Sentinel<sup>TM</sup> Type III Barricade



## Specs

Composition	High Density Polyethylene
Available Board Sizes	1" x 8" x 4' 1" x 8" x 6'
Reflective Sheeting	Available in all grades - in left, right, or chevron stripes

Both the Break-Away and Sentinel are sold in kits with 3 boards with your choice of sheeting. All hardware needed for assembly is included in the kit.

**PLASTICADE<sup>®</sup>**

7700 N. Austin Avenue  
Skokie, IL 60077  
phone (800) 772-0355  
fax (847) 966-8074

[www.plasticade.com](http://www.plasticade.com)

**MADE IN THE USA**