

# INTRODUCING ECONOCADE<sup>®</sup>

THE QUALITY YOU KNOW  
AT THE PRICE YOU WANT!

**PLASTICADE<sup>®</sup>**

[www.plasticade.com](http://www.plasticade.com)

## ECONOCADE<sup>®</sup> DRUM

- A rugged drum that's made to last.
- Priced 25% less than the market standard barrel.
- Made to be used with tire rings.
- 5 tier telescoping design.
- Stackable and easy to handle.
- Composed of UV stabilized bright orange polyethylene.



## ECONOCADE<sup>®</sup> BARRICADE



- Strong, stackable, and lighter than standard barricades.
- Easy to handle, pack, and transport.
- Available in a variety of colors.
- Rust free and impact resistant.
- Priced 25% less than the market standard all plastic barricade.



## ECONOCADE<sup>®</sup> A-FRAME



A-Frame Leg

- Made of impact resistant polyethylene.
- Accepts 3 different types of boards.
- Available in a variety of colors.
- Heavier and sturdier than the industry standard A Frame leg, weighs 6 lbs.

## ECONOCADE<sup>®</sup> BOARDS



12"H x 24"W



8"H x 24"W



6"H x 24"W

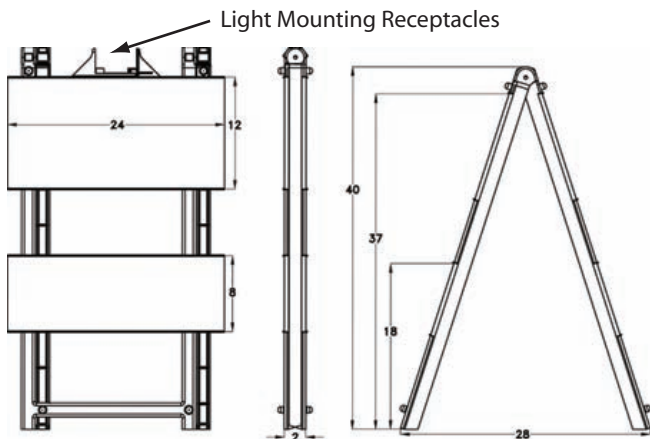
- Highly durable, all plastic boards.
- A fraction of the cost of wood boards.
- Easily mounted on all styles of steel legs.
- Will never rot, splinter, or peel.

All Products are NCHRP-350 Accepted,  
and Meet MUTCD Standards

# ECONOCADE®

THE QUALITY YOU KNOW  
AT THE PRICE YOU WANT!

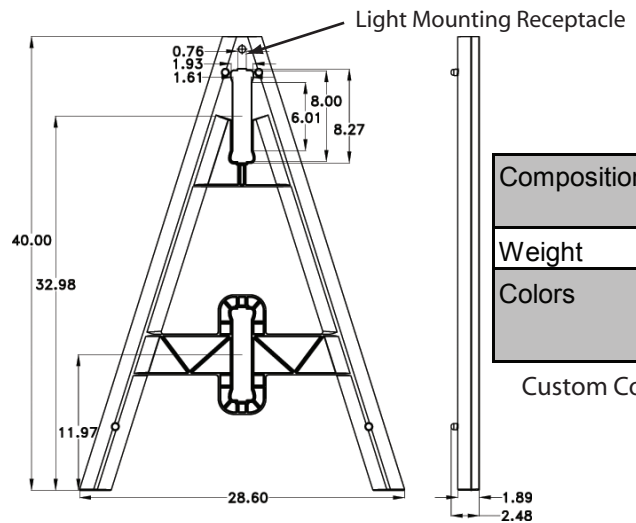
## ECONOCADE BARRICADE



Composition	High Density Polyethylene
Weight	13.2 lbs.
Colors	White, Orange, Yellow, Red, Green, Blue

Custom Colors Available

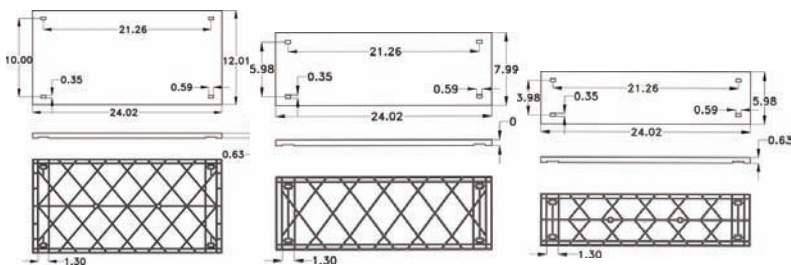
## ECONOCADE A-FRAME



Composition	High Density Polyethylene
Weight	6 lbs.
Colors	White, Yellow, Orange, Red, Green, Blue

Custom Colors Available

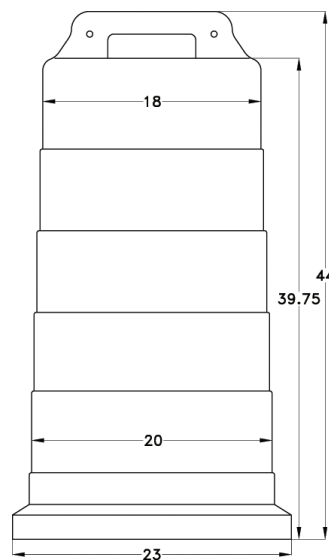
## ECONOCADE BOARDS



Composition	High Density Polyethylene
Weight	12" H - 1.6 lbs.
	8" H - 1.2 lbs.
	6" H - 1 lb.
Colors	White

Custom Colors Available

## ECONOCADE DRUM



Carrying Handle has two light mounting receptacles

Composition	Available in Both High Density and Low Density Polyethylene
Weight	7.5 lbs.
Colors	Orange
Accepts a 22.5" dia. Tire Ring	



**PLASTICADE®**

7700 N. Austin Avenue  
Skokie, IL 60077  
phone (800) 772-0355  
fax (847) 966-8074